

Model: Martini-C1 Cover Interposer Tray Type 1075		Date: 17-Jan-03	No.: MB470001
Modified Article: Main Control Board		Prepared by: K. Miura	
From: Technical Services Sec. Service Planning Dept.			
Reason for Modification:	<input type="checkbox"/> Parts catalog correction	<input type="checkbox"/> Vendor change	<input type="checkbox"/> To meet standards ()
	<input type="checkbox"/> To facilitate assembly	<input checked="" type="checkbox"/> To improve reliability	
	<input type="checkbox"/> Part standardization	<input type="checkbox"/> Other	

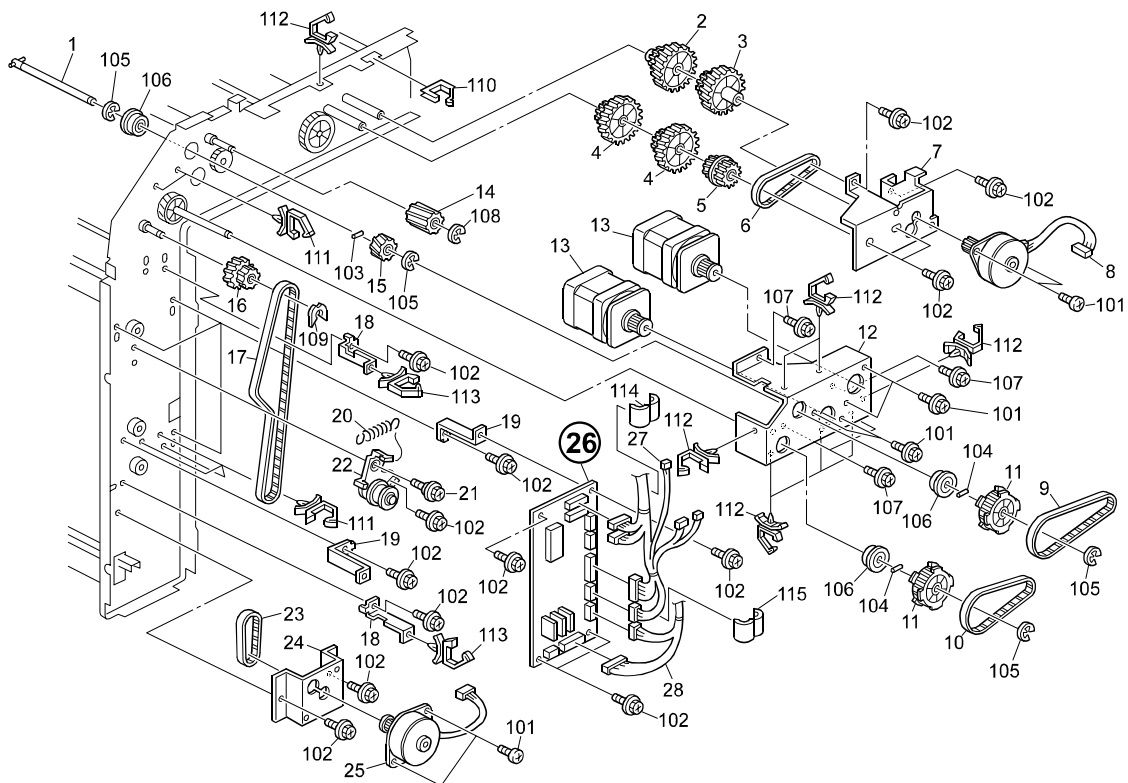
The firmware of the main control board has been changed for the following reasons:

1. Productivity drops when installed with the SR840 finisher.

Note: When installing the Cover Interposer Tray with SR840, it is necessary to replace the main control board.

2. SC750 (Cover interposer bottom plate motor error) may not display even if the error condition occurs.

Old part number	New part number	Description	Q'ty	Int	Page	Index	Note
B4705120	B4705121	Main Control Board	1	X/O	13	26	



Model: Martini-C1 Cover Interposer Tray Type 1075	Date: 17-Jan-03	No.: MB470001
---	-----------------	---------------

[RCL (Japan) Production]

MODEL NAME	V/Hz	DESTINATION	CODE	SERIAL NO.
Cover Interposer Tray Type1075	120/60	All	B470-17	J4721000001
Cover Interposer Tray Type1075	220-240/50, 60	Europe, etc	B470-26	7P51120001

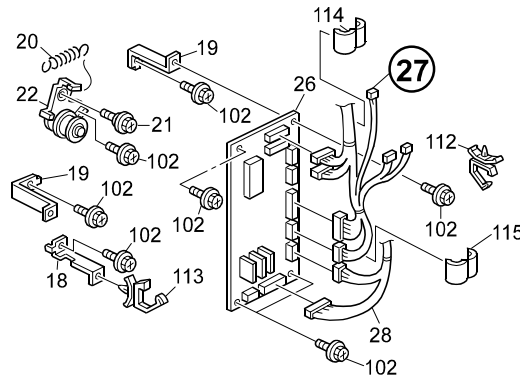
Model: Martini-C1 Cover Interposer Tray Type 1075	Date: 21-May-03	No.: MB470002
---	-----------------	---------------

Modified Article: Harnesses		Prepared by: K. Miura	
From: 1st Tech. Support Sec. Service Support Dept.			
Reason for Modification:	<input type="checkbox"/> Parts catalog correction	<input type="checkbox"/> Vendor change	<input checked="" type="checkbox"/> To meet standards ()
	<input type="checkbox"/> To facilitate assembly	<input type="checkbox"/> To improve reliability	
	<input type="checkbox"/> Part standardization	<input type="checkbox"/> Other	

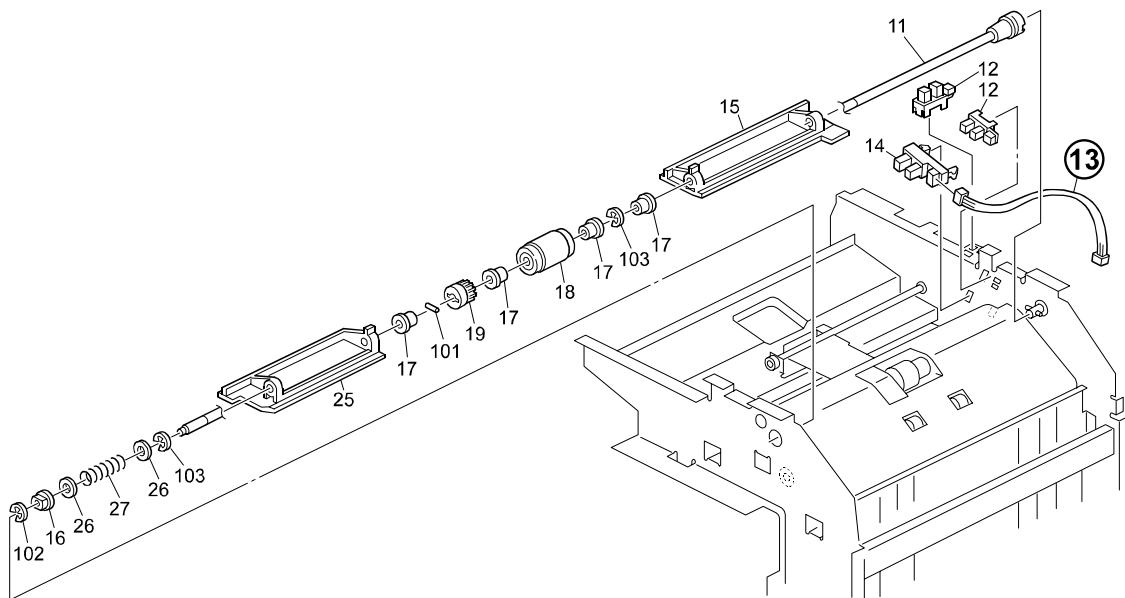
The following have been changed to meet the temperature rise standards for the Bellini-C2.

Old part number	New part number	Description	Q'ty	Int	Page	Index	Note
B4705220	B4705222	Main Sensor Harness	1	X/O	13	27	
B4705280	B4705281	Harness - Paper Near End	1	X/O	7	13	

<Page 13>



<Page 7>



Model: Martini-C1 Cover Interposer Tray Type 1075	Date: 21-May-03	No.: MB470002
---	-----------------	---------------

[RCL (Japan) Production]

MODEL NAME	V/Hz	DESTINATION	CODE	SERIAL NO.
Cover Interposer Tray Type1075	120/60	USA	B470-17	J4721100001
Cover Interposer Tray Type1075	220-240/50, 60	Europe, etc	B470-26	7P51120001

Reissued: 28-Aug-03

Model: Martini-C1 Cover Interposer Tray Type 1075	Date: 25-Jun-03	No.: MB470003b
---	-----------------	----------------

MB Reissue

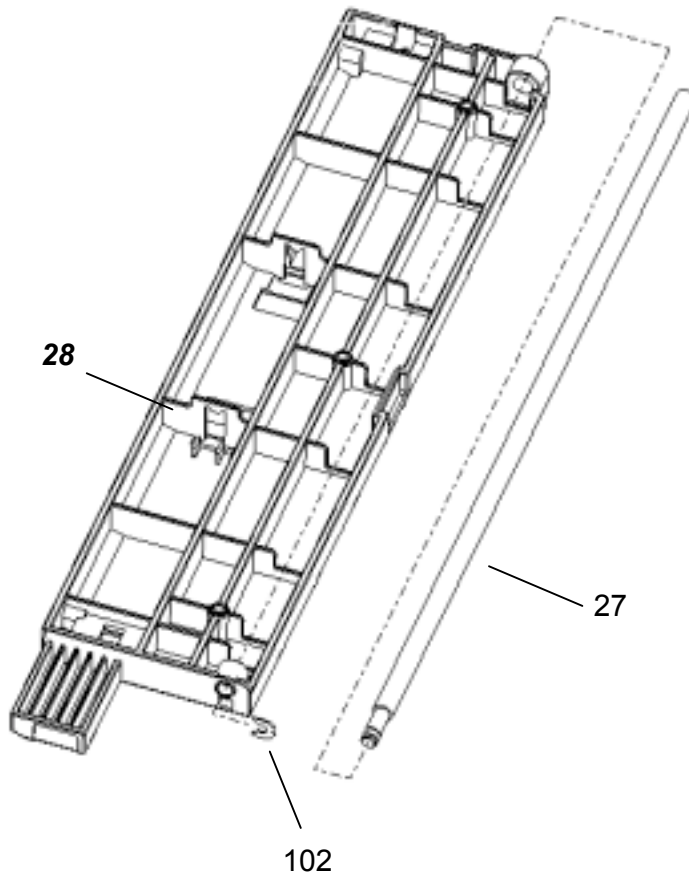
The underlined items in the table below have been corrected or added.

Modified Article: Side Guide Plate		Prepared by: Y.Urushihara	
From: 1st Tech. Support Sec. Service Support Dept.			
Reason for Modification:	<input type="checkbox"/> Parts catalog correction	<input type="checkbox"/> Vendor change	<input type="checkbox"/> To meet standards ()
	<input type="checkbox"/> To facilitate assembly	<input checked="" type="checkbox"/> To improve reliability	
	<input type="checkbox"/> Part standardization	<input type="checkbox"/> Other	

To improve the function of the Side Guide Plate Shaft, the shaft and its retaining ring have been registered as individual parts and the material of the shaft has been changed from plastic to metal.

Old part number	New part number	Description	Q'ty	Int	Page	Index	Note
<u>B4704223</u>		<u>Side Guide Plate</u>	<u>1-0</u>		<u>11</u>	<u>19</u>	
	→ <u>B4704231</u>	<u>Side Guide Plate</u>	<u>0-1</u>	<u>X/X</u>	<u>11</u>	<u>28</u>	<u>X/O</u>
	→ <u>B4704232</u>	<u>Shaft – Side Guide Plate</u>	<u>0-1</u>	<u>X/X</u>	<u>11</u>	<u>27</u>	<u>as a</u>
	→ <u>08050089</u>	<u>Retaining Ring –M4</u>	<u>0-1</u>	<u>X/X</u>	<u>11</u>	<u>102</u>	<u>set</u>

Note: When installing for the first time, the parts above should be changed **together as a set**.



Model: Martini-C1 Cover Interposer Tray Type 1075		Date: 16-Feb-04	No.: MB470004
Modified Article: Torque Limiter – 53mnm		Prepared by: S.Watanabe	
From: 2nd Tech. Support Sec. Service Support Dept.			
Reason for Modification:	<input type="checkbox"/> Parts catalog correction	<input type="checkbox"/> Vendor change	<input type="checkbox"/> To meet standards ()
	<input type="checkbox"/> To facilitate assembly	<input type="checkbox"/> To improve reliability	
	<input checked="" type="checkbox"/> Part standardization	<input type="checkbox"/> Other	

The following has been changed due to parts standardization.

Old part number	New part number	Description	Q'ty	Int	Page	Index	Note
A2472900	A2946700	Torque Limiter – 53mnm	1-1	O/O	9	16	

[RCL (Japan) Production]

MODEL NAME	V/Hz	DESTINATION	CODE	SERIAL NO.
Cover Interposer Tray Type1075	120/60	USA	B470-17	Service Parts Only
Cover Interposer Tray Type1075	220-240/50, 60	Europe, etc	B470-26	Service Parts Only
Cover Interposer Tray Type1075	120/60	USA	B470-57	J4731200001
Cover Interposer Tray Type1075	220-240/50, 60	Europe, etc	B470-66	9R41130036

Model: Martini-C1/Bellini-C2 Cover Interposer Tray Type 1075	Date: 8-Sep-04	No.: MB470005
---	----------------	---------------

Modified Article: Guide Plate – Vertical Transport		Prepared by: M. Matsuda	
From: 2nd Tech. Support Sec. Service Support Dept.			
Reason for Modification:	<input type="checkbox"/> Parts catalog correction	<input type="checkbox"/> Vendor change	<input type="checkbox"/> To meet standards ()
	<input type="checkbox"/> To facilitate assembly	<input checked="" type="checkbox"/> To improve reliability	
	<input type="checkbox"/> Part standardization	<input type="checkbox"/> Other	

Old part number	New part number	Description	Q'ty	Int	Page	Index	Note
B4704112	B4704116	Guide Plate – Vertical Transport	1	×/○	11	12	

Changed: Shape

Reason: To increase latitude against dog ears on curled paper

[RCL (Japan) Production]

MODEL NAME	V/Hz	DESTINATION	CODE	SERIAL NO.
Cover Interposer Tray Type1075	120/60	USA	B470-17	Service Parts Only
Cover Interposer Tray Type1075	220-240/50, 60	Europe, etc	B470-26	Service Parts Only
Cover Interposer Tray Type1075	120/60	USA	B470-57	J4740500226
Cover Interposer Tray Type1075	220-240/50, 60	Europe, etc	B470-66	9R40540001

Reissued: 5-Nov-04

Model: Martini-C1 Cover Interposer Tray Type1075	Date: 5-Oct-04	No.: MB470006a
--	----------------	----------------

MB Correction

A diagram of the new part has been added.

Modified Article: Base Cover		Prepared by: S. Ishizu	
From: 2nd Tech. Support Sec. Service Support Dept.			
Reason for Modification:	<input type="checkbox"/> Parts catalog correction	<input type="checkbox"/> Vendor change	<input type="checkbox"/> To meet standards ()
	<input type="checkbox"/> To facilitate assembly	<input type="checkbox"/> To improve reliability	
	<input checked="" type="checkbox"/> Part standardization	<input type="checkbox"/> Other	

These were changed due to parts standardization.

Old part number	New part number	Description	Q'ty	Int	Page	Index	Note
B4704581	B4704582	Base Cover	1	O/O	3	15	
	B4704585	Stopper:Cover:Base	1		3	*19	

*: New Index



B4704582 Base Cover



B4704585 Stopper:Cover: Base

Model: Martini-C1 Cover Interposer Tray Type1075	Date:	No.: MB470006a
--	-------	----------------

[RCL (Japan) Production]

MODEL NAME	V/Hz	DESTINATION	CODE	SERIAL NO.
Cover Interposer Tray Type1075	120/60	USA	B470-17	Service Parts Only
Cover Interposer Tray Type1075	220-240/50, 60	Europe, etc	B470-26	Service Parts Only
Cover Interposer Tray Type1075	120/60	USA	B470-57	J4740400074
Cover Interposer Tray Type1075	220-240/50, 60	Europe, etc	B470-66	9R40440001